

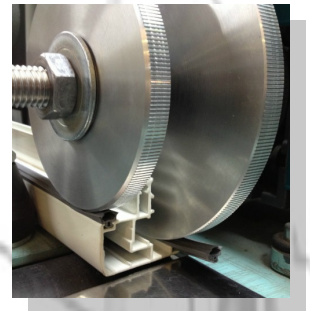
# AJB-6000 MC

This machine should be used for insertion and cutting gaskets, once cut, pieces of metal and wood profiles.

The high quality of this machine and its ease of operation makes it suitable for use by operators. The machine uses a roller like applicator of the gaskets and rotating by a motor and cut the board with a saw. This adequately protected.

The insertion of the gaskets at the beginning of the profile is done manually, allowing the machine is then complete the process of insertion.

The machine body is resistant which ensures its accuracy.



ESB-64058050 C/ Puigbarral, 44 Nau 4F Pol.  
Ind. Can Petit 08227 TERRASSA, BARCELONA  
(SPAIN)

Tel: (+34) 93 789 29 93  
Mail: [export@rpaluminium.com](mailto:export@rpaluminium.com)  
[admin@rpaluminium.com](mailto:admin@rpaluminium.com)

AJB-6000 MC

# AJB Family

# AJB-6000 MC

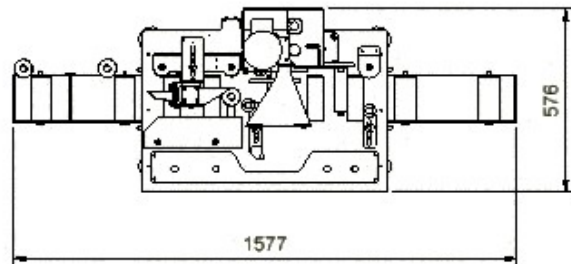
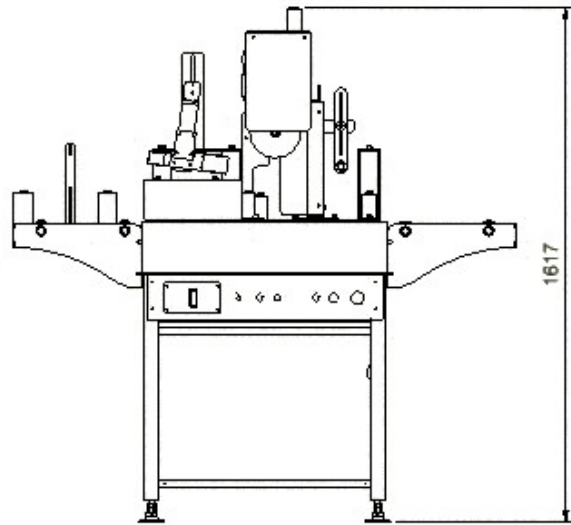
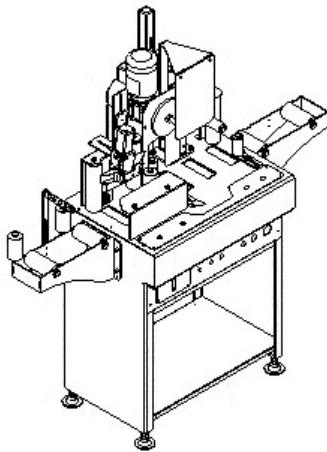
## AJB-6000 MC



### Technical Data

Length max. Profile	1-6 m
Height max. profile	200 mm.
Width max. Profile	130 mm.
Motor	1 / 4 CV
Working pressure	1-6 kg.
Working height	940 mm
Roller Diameter	160 mm.
Working direction	From left to right
Size mm.	Without arm 760x576x1617 With arm 1577x576x1617

### Overall Dimensions

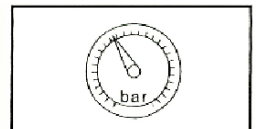
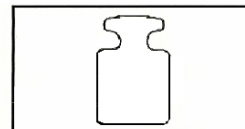


### ADDITIONAL MATERIAL

- Roller arm, left input.
- Roller arm, right output.
- Functions Keys.
- Installation, use and maintenance.

### OPTIONAL MATERIAL

- Roller for apply gaskets.
- Gasket roll: single, double, with mechanical brake, triple and quadruple.
- Roller bench input and output 1'8 m.
- Roller bench input and output 3'9 m.



Mono 220v 1Kw  
50/60 HZ

155 kg.

6 +7 bar